

**WIRING DIAGRAMS**  
**Article Text**  
 1991 Mazda Miata  
 For Yorba Linda Miata  
 Copyright © 1998 Mitchell Repair Information Company, LLC  
 Saturday, May 10, 2003 11:20AM

**ARTICLE BEGINNING**

1991 WIRING DIAGRAMS  
 Mazda  
  
 Miata

**IDENTIFICATION**

**COMPONENT LOCATION MENU**

COMPONENT LOCATIONS TABLE

AA

Component	Figure No. (Location)
A/C RELAY .....	3 (D-E 11)
A/C THERMO SWITCH .....	3 (E 8-9)
A/T CONTROL UNIT .....	6 (E 20)
ABS CONTROL UNIT .....	5 (C-E 19)
AIRBAG CONTROL UNIT .....	5 (A-B 16)
ALTERNATOR .....	1 (D 3)
BACK-UP BATTERY .....	5 (A 16)
BACK-UP LT SW .....	6 (D 23)
BLOWER MOTOR RELAY .....	3 (D 9)
CIG LIGHTER .....	3 (C 9)
CIRCUIT OPENING RELAY .....	2 (C 4)
CLUTCH SWITCH (M/T) .....	2 (E 7)
COMBINATION SW .....	4 (C-E 12), 5 (C-D 16)
COOLING FAN RELAY .....	3 (E 10)
CRUISE CONTROL MAIN SW .....	4 (C 15)
CRUISE CONTROL UNIT .....	4 (D-E 15)
DIAG CONNECTOR .....	2 (A-B 4)
DIR/HAZ FLASHER .....	4 (C-D 14-15)
ENGINE CONTROL UNIT (ECU) .....	2 (A 4-7)
FOG LIGHT SWITCH .....	4 (C 12)
FUEL TANK UNIT .....	6 (A 22)
FUSE BLOCK .....	3 (A-B 9-10)
HEADLIGHT RELAY .....	4 (D 14)
HEATER CONTROL UNIT .....	3 (E 8)
HORN RELAY .....	5 (C 17)
HYDRAULIC UNIT .....	5 (A-B 19)
IGNITER .....	2 (C-D 4)
IGNITION SWITCH .....	3 (A 8)
INHIBITOR SWITCH (A/T) .....	1 (A 3)
INSTRUMENT CLUSTER .....	4 (A 12-15)
JOINT CONNECTOR .....	5 (B 17)
MAIN RELAY .....	2 (E 4)
O/D OFF SWITCH .....	6 (D 21)
PANEL LIGHT CONTROL SWITCH .....	4 (B 12)
POWER WINDOW MAIN SWITCH .....	6 (A 20-21)
RELAY & MAIN FUSE BLOCK .....	1 (B-C 2-3)

# WIRING DIAGRAMS

## Article Text (p. 2)

1991 Mazda Miata

For Yorba Linda Miata

Copyright © 1998 Mitchell Repair Information Company, LLC

Saturday, May 10, 2003 11:20AM

RETRACTOR RELAY .....	1 (D-E 2)
RETRACTOR/HAZARD SWITCH .....	4 (C 13-14)
SHIFT LOCK ACTUATOR A/T .....	6 (B-C 20-21)
STARTER INTERLOCK SWITCH .....	1 (A 3)
STARTER MOTOR .....	1 (A 3)
STOP LT SW .....	3 (C 11)
TNS RELAY .....	4 (E 14)
W/SHIELD WIPER MOTOR .....	1 (E 3)
WARNING BUZZER .....	3 (D 11)
WASHER MOTOR .....	1 (E 3)
AA	

# WIRING DIAGRAMS

# WIRING DIAGRAMS

## Article Text (p. 3)

### 1991 Mazda Miata

#### For Yorba Linda Miata

Copyright © 1998 Mitchell Repair Information Company, LLC  
Saturday, May 10, 2003 11:20AM

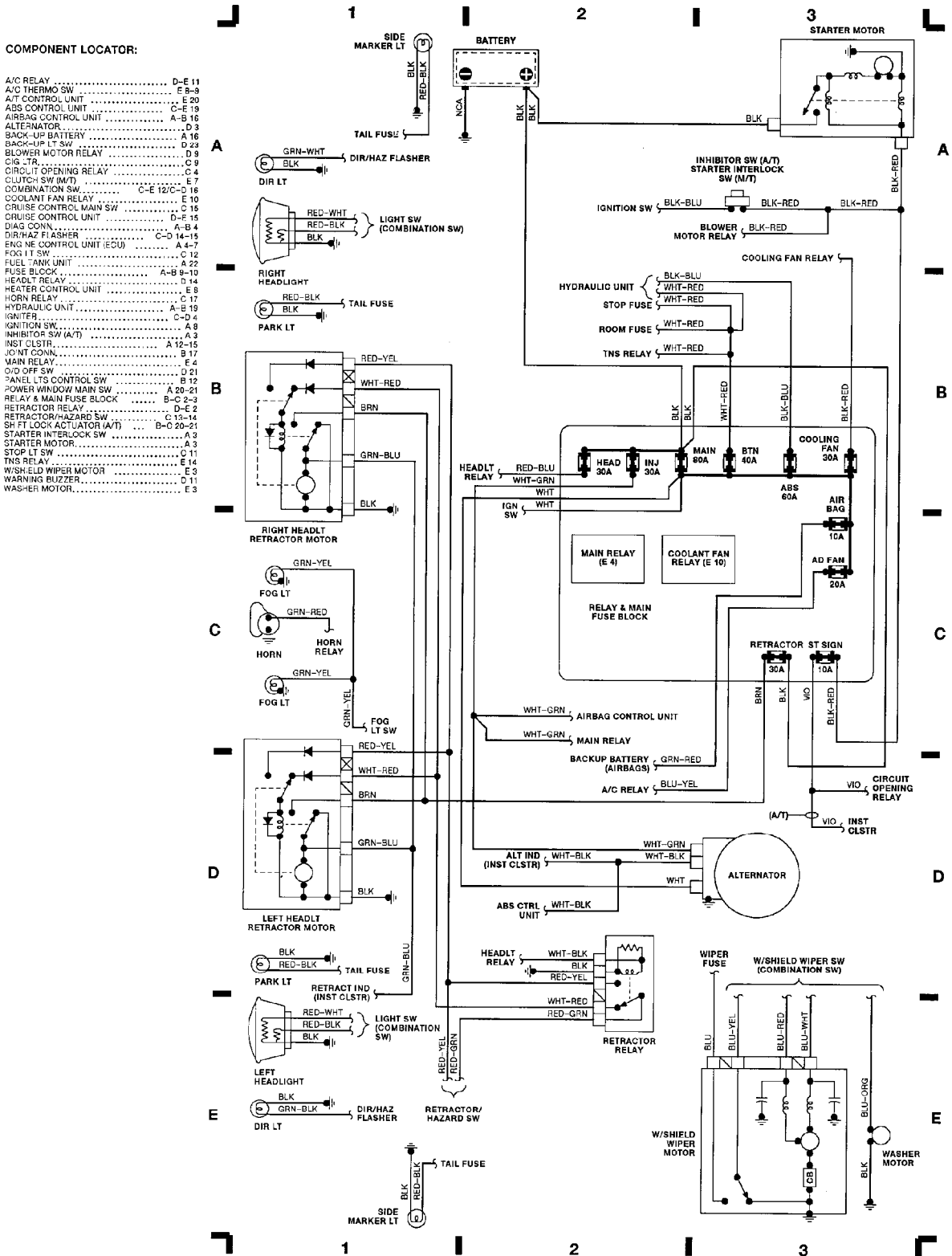
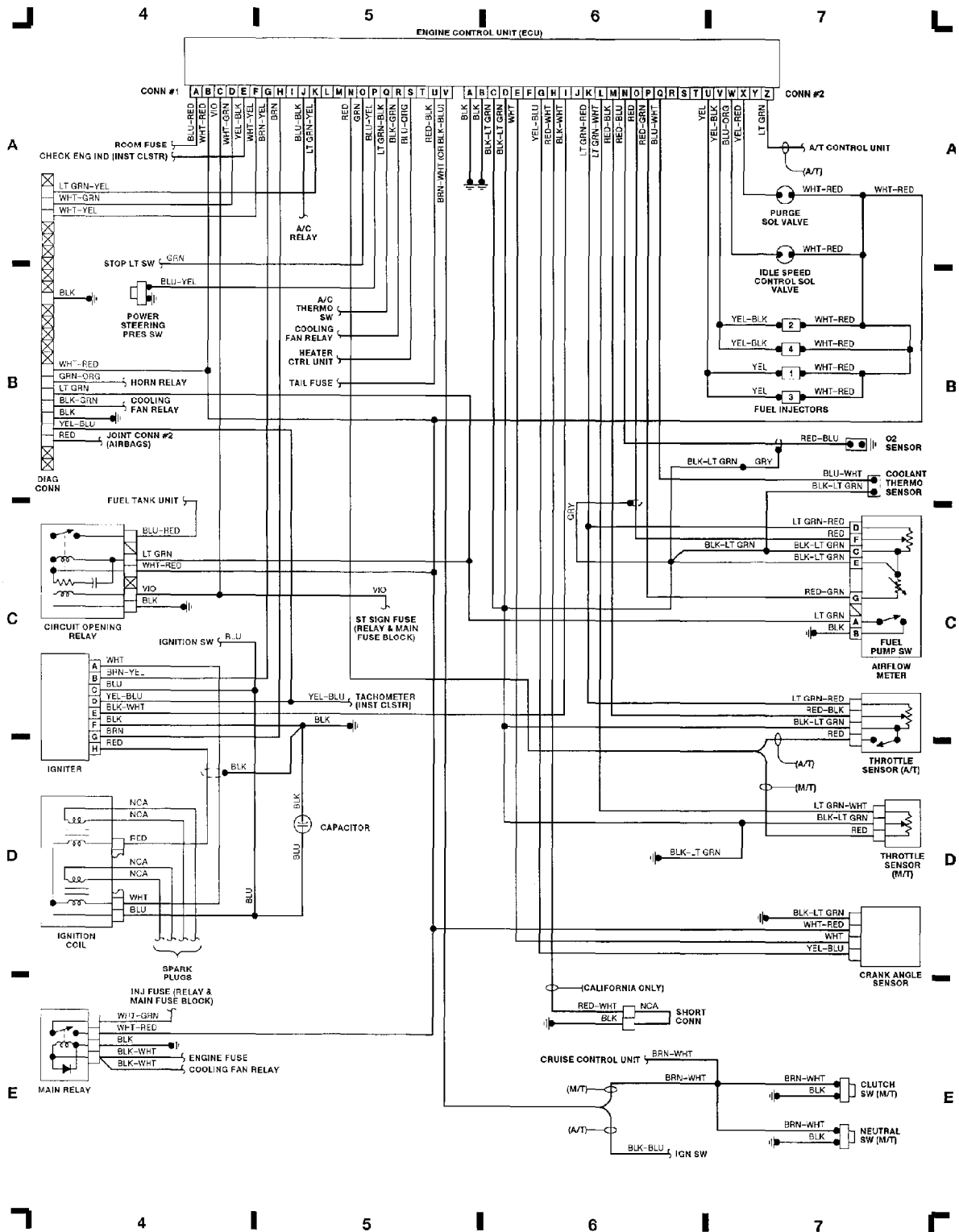


Fig. 1: Engine Compartment, Headlights (Grid 1-3)

**WIRING DIAGRAMS**  
**Article Text (p. 4)**  
 1991 Mazda Miata  
 For Yorba Linda Miata  
 Copyright © 1998 Mitchell Repair Information Company, LLC  
 Saturday, May 10, 2003 11:20AM



50G06750  
 Fig. 2: Computer Engine Control (Grid 4-7)

**WIRING DIAGRAMS**  
**Article Text (p. 5)**  
 1991 Mazda Miata  
 For Yorba Linda Miata  
 Copyright © 1998 Mitchell Repair Information Company, LLC  
 Saturday, May 10, 2003 11:20AM

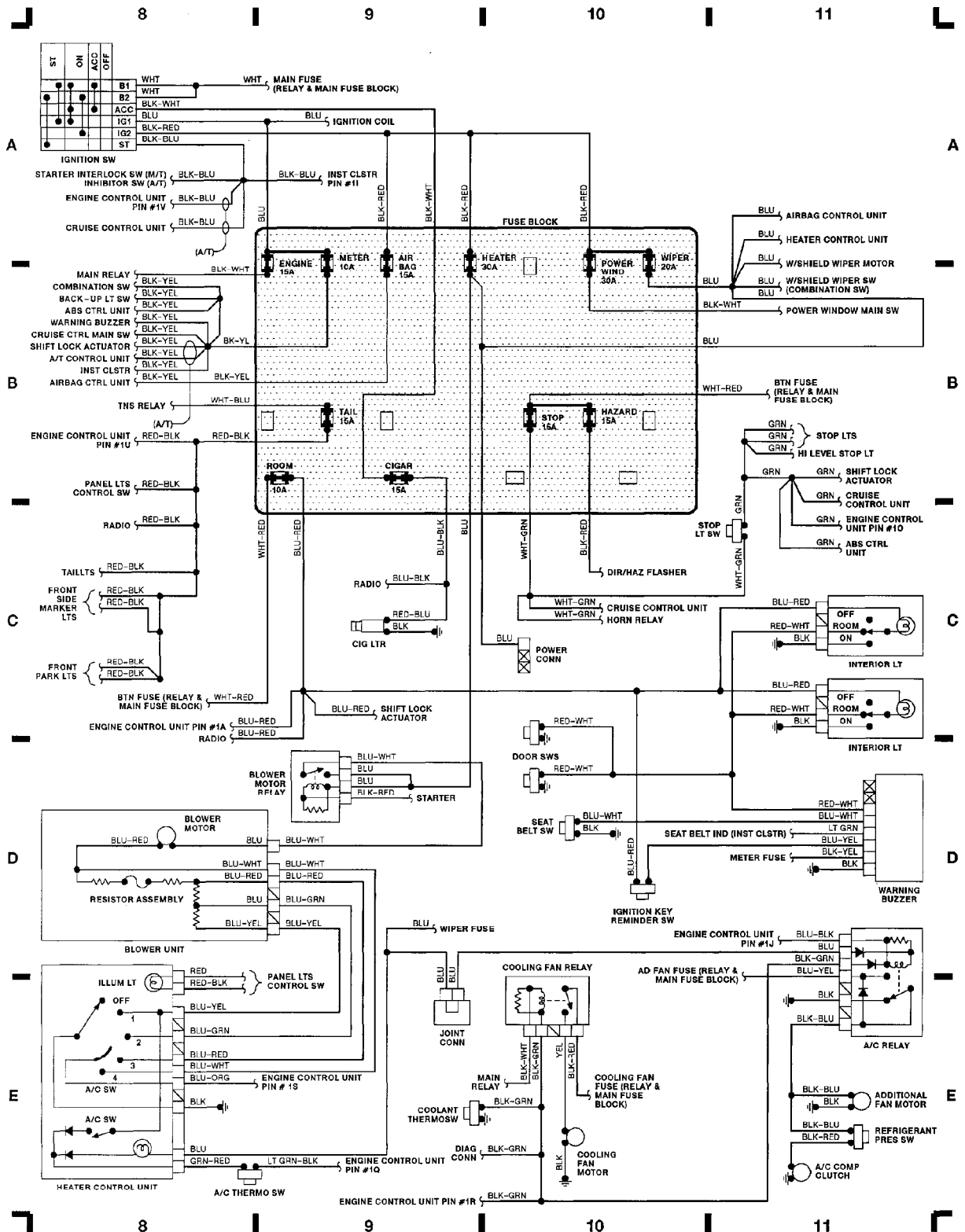


Fig. 3: Fuse Block, Heater (Grid 8-11)

**WIRING DIAGRAMS**  
**Article Text (p. 6)**  
 1991 Mazda Miata  
 For Yorba Linda Miata  
 Copyright © 1998 Mitchell Repair Information Company, LLC  
 Saturday, May 10, 2003 11:20AM

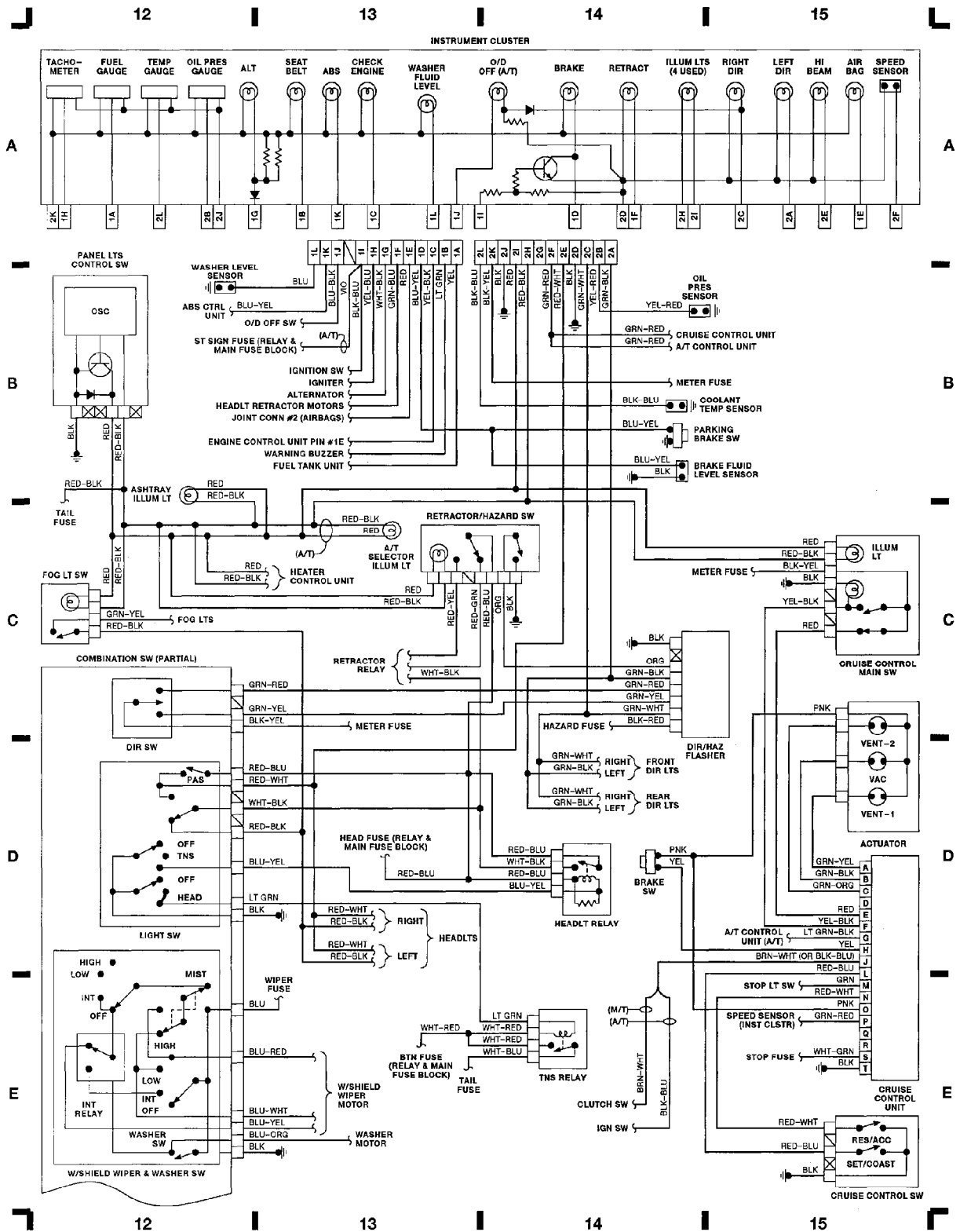


Fig. 4: Instrument Cluster, Comb Sw, Cruise Ctrl (Grid 12-15)

**WIRING DIAGRAMS**  
**Article Text (p. 7)**  
 1991 Mazda Miata  
 For Yorba Linda Miata  
 Copyright © 1998 Mitchell Repair Information Company, LLC  
 Saturday, May 10, 2003 11:20AM

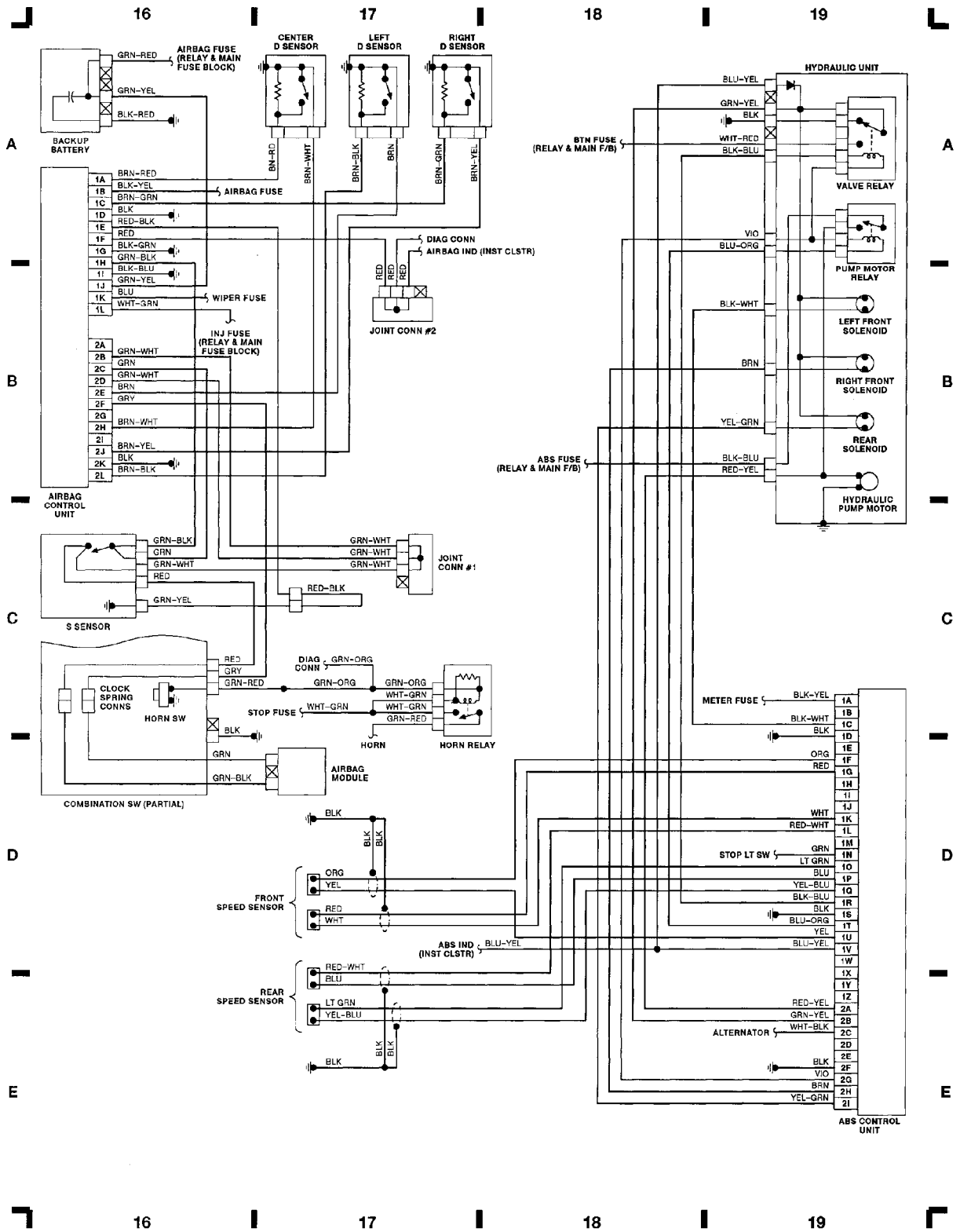


Fig. 5: ABS, Air Bag, Hydraulic Unit (Grid 16-19)

**WIRING DIAGRAMS**  
**Article Text (p. 8)**  
 1991 Mazda Miata  
 For Yorba Linda Miata  
 Copyright © 1998 Mitchell Repair Information Company, LLC  
 Saturday, May 10, 2003 11:20AM

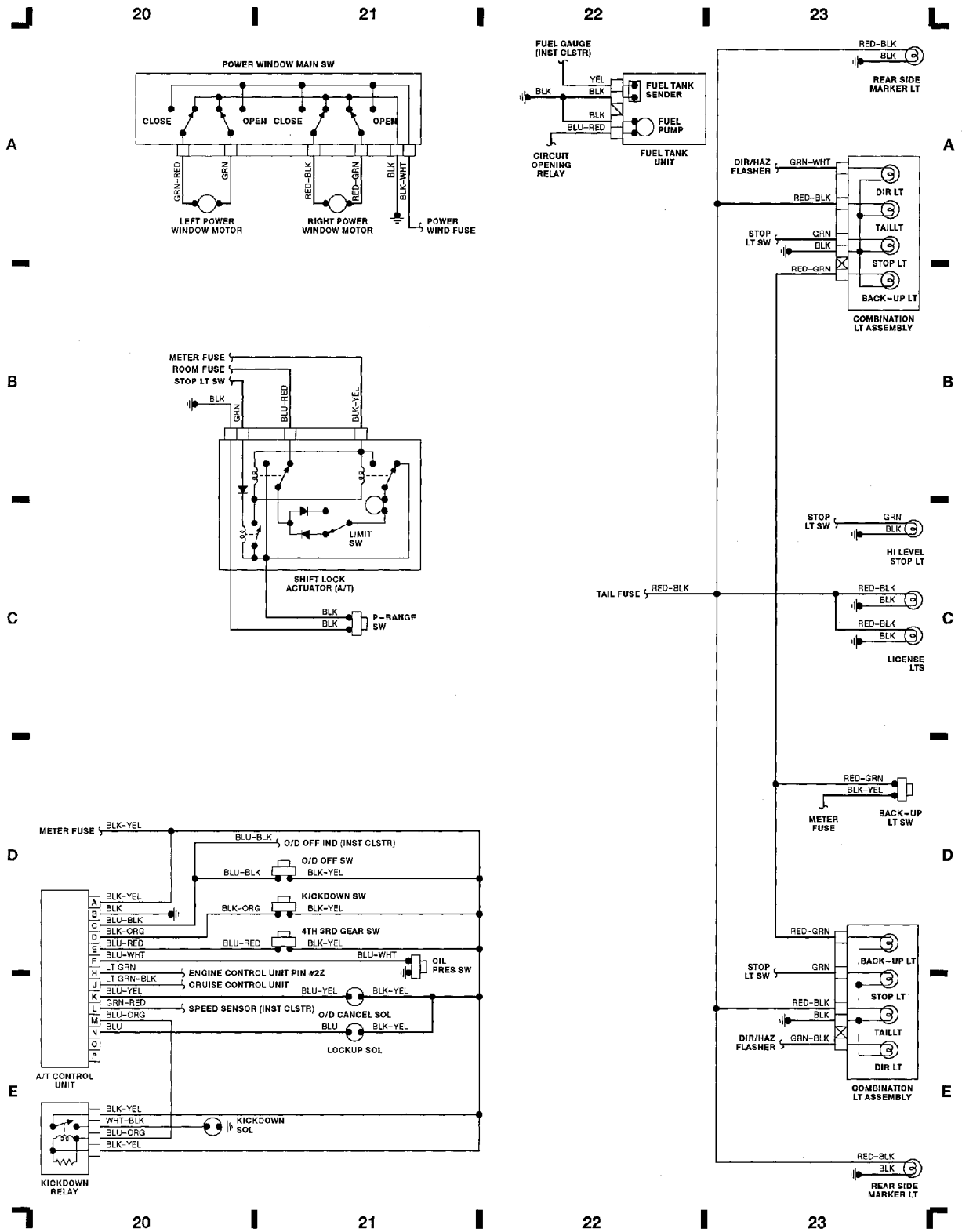


Fig. 6: Power Window, Taillights, A/T Ctrl Unit (Grid #-#)

92111773

END OF ARTICLE